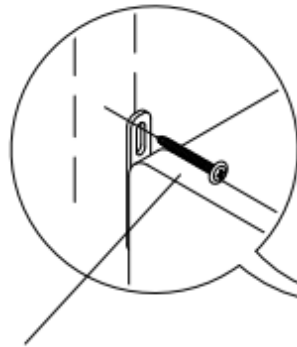


## ATTACHING WALL BRACKET ASSEMBLY

### SAFETY NOTE

To prevent accidental tipping, we strongly recommend this product be anchored to the floor or wall. It is the consumer's responsibility to ensure this unit is installed according to all applicable regulations and used in a safe manner consistent with its intended purpose.

LOCATE WOOD OR  
METAL WALL STUDS

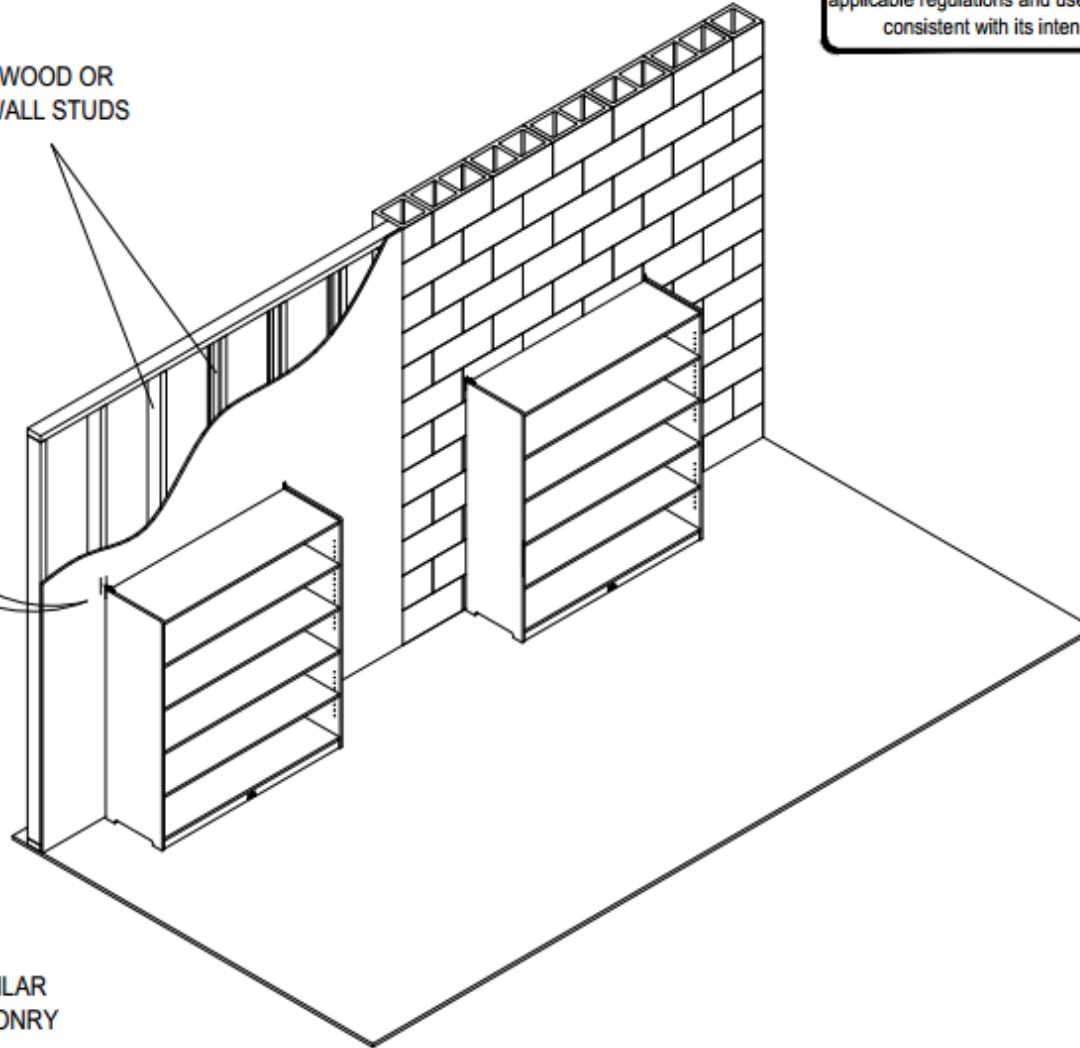


ALIGN ANCHOR TO WALL STUD AND  
SECURE WITH APPROPRIATE  
FASTNER/SCREW (NOT PROVIDED).

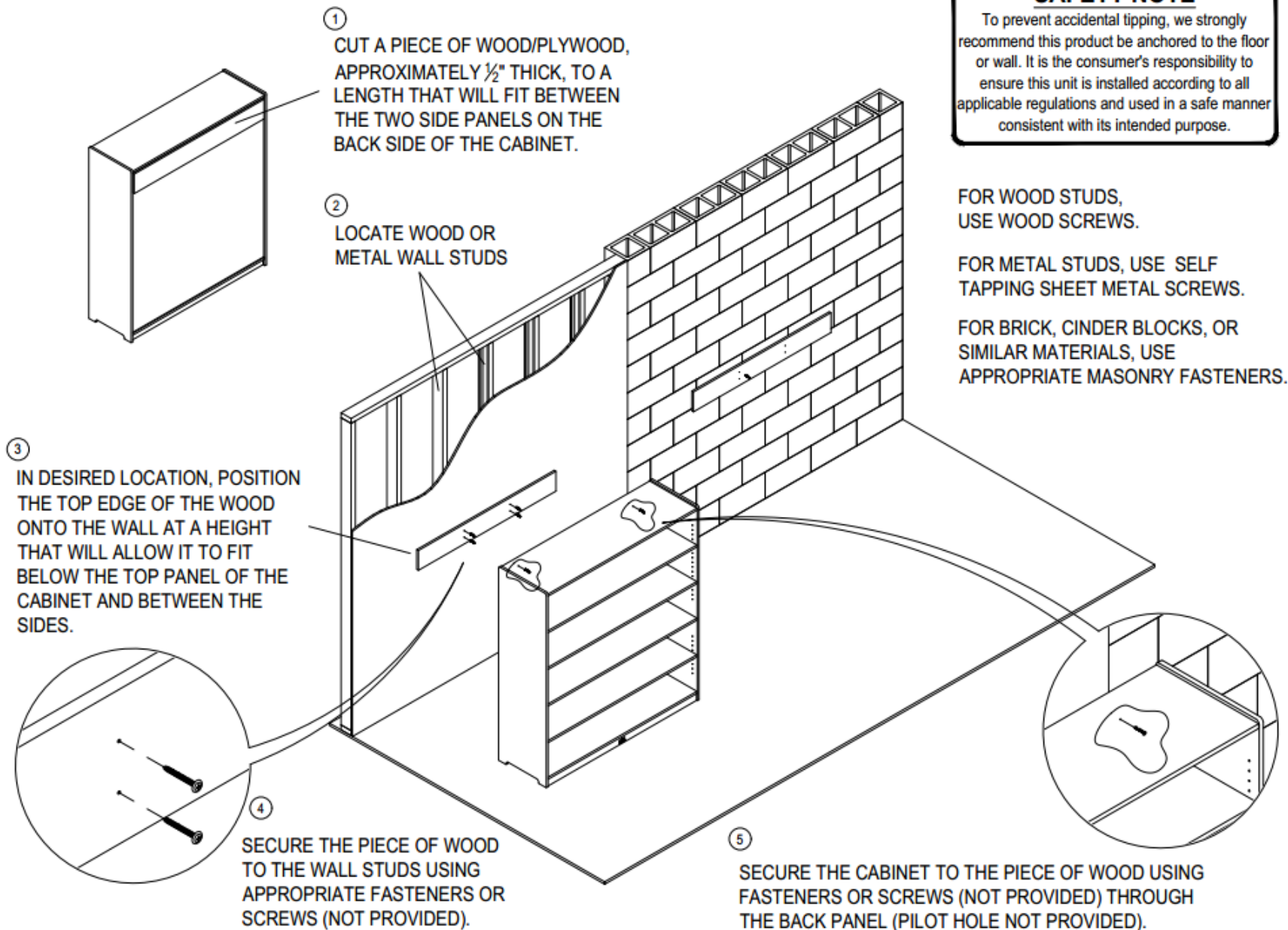
FOR WOOD STUDS,  
USE WOOD SCREWS.

FOR METAL STUDS, USE SELF  
TAPPING SHEET METAL SCREWS.

FOR BRICK, CINDER BLOCKS, OR SIMILAR  
MATERIALS, USE APPROPRIATE MASONRY  
FASTENERS.



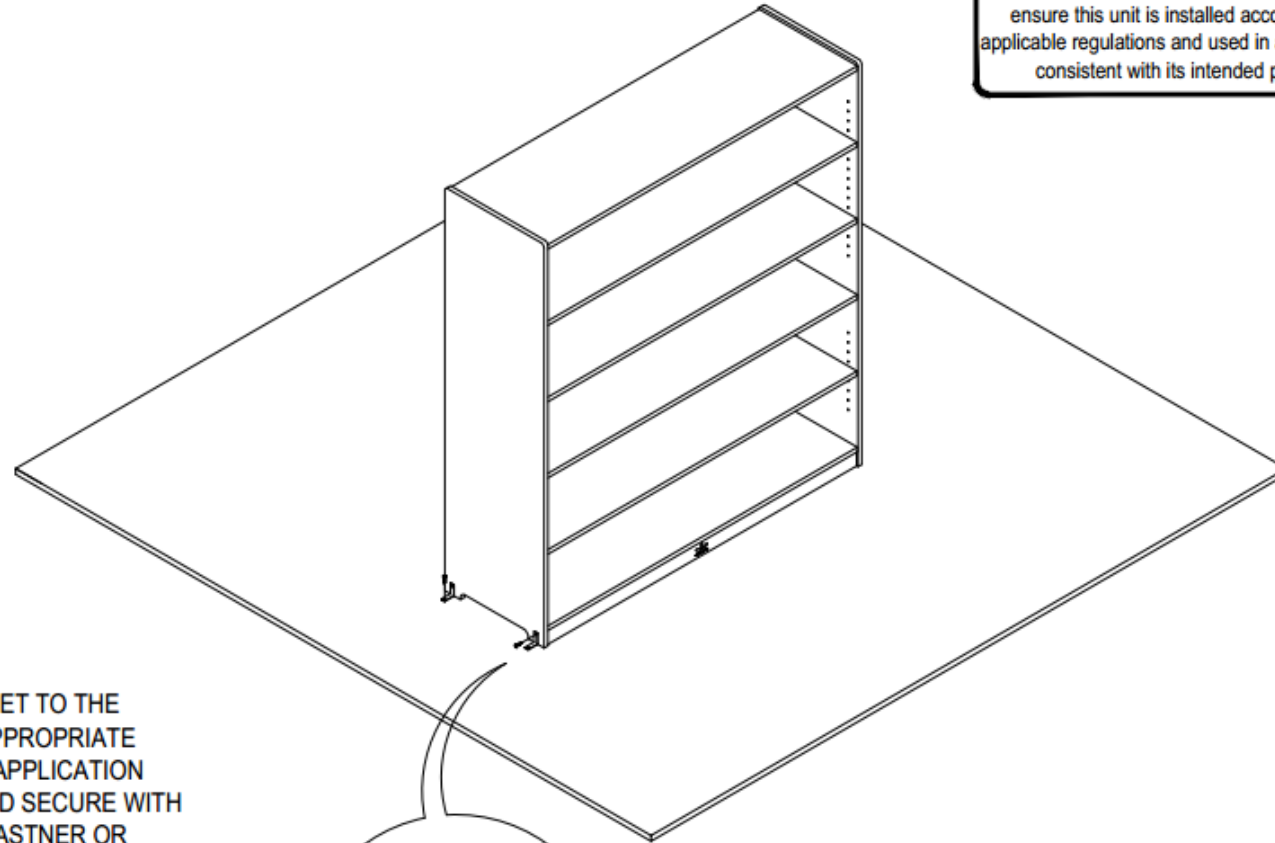
## ATTACHING THROUGH BACK



## ATTACHING FLOOR BRACKET ASSEMBLY

### SAFETY NOTE

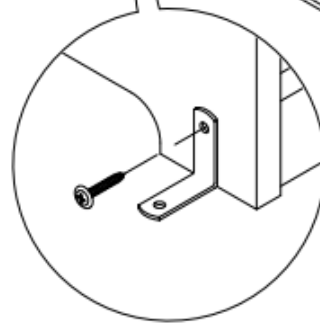
To prevent accidental tipping, we strongly recommend this product be anchored to the floor or wall. It is the consumer's responsibility to ensure this unit is installed according to all applicable regulations and used in a safe manner consistent with its intended purpose.



ANCHOR THE CABINET TO THE FLOOR USING AN APPROPRIATE BRACKET FOR THE APPLICATION (NOT PROVIDED) AND SECURE WITH AN APPROPRIATE FASTNER OR SCREW (NOT PROVIDED).

FOR WOOD FLOORS,  
USE WOOD SCREWS.

FOR CONCRETE, OR SIMILAR MATERIALS,  
USE APPROPRIATE MASONRY FASTENERS.



ATTACH THE ANCHOR TO THE CABINET USING AN APPROPRIATE FASTENER OR WOOD SCREW (NOT PROVIDED).